



Z180.720

K1

CE  
CERTIFIED



## INTEGRATED LOGISTICS

Zallys K1 is a 3 wheels stand-on electric personnel carrier, designed for transporting personnel and tow carts. Thanks to its compact dimension can be used inside elevators and it's suitable for maintenance and inspection activities.

Very easy to drive, it can tow train of trolleys or wheeled loads up to 1.000 kg (2.204 lb).

K1 can be equipped with various accessories, hitches and removable battery packs: 30Ah and 45Ah AGM or 40Ah Lithium for the maximum uptime.

## PERFORMANCES



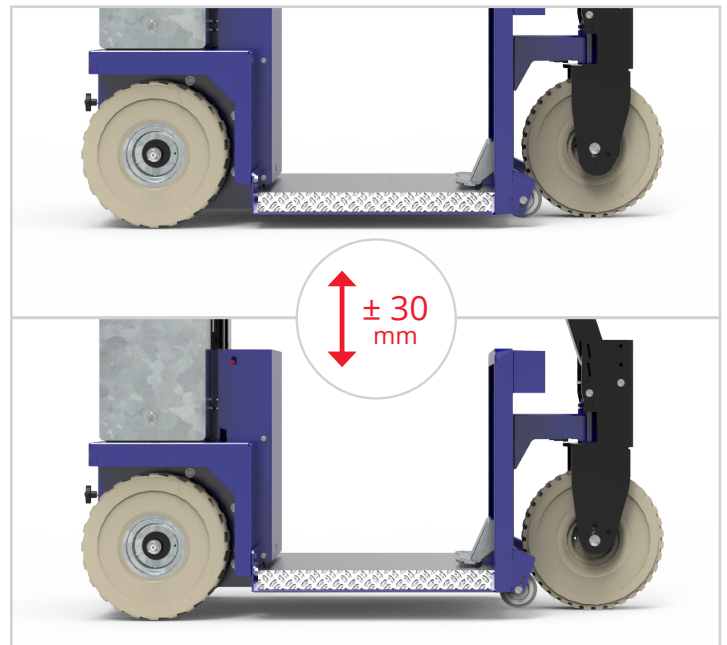
8 KM/H  
(5 MPH)



1.000 KG  
(2.204 LB)



15%





**Ballasts kit 58 kg**  
Z526.721

**Ballasts kit 80 kg**  
Z526.722

**Ballasts kit 122 kg**  
Z526.724

**Front and rear lights kit**  
E800.705

**On/off keypad**  
E506.750

**Fitting kit for K1 battery packs**  
Z524.712

**Steering speed reduction kit**  
E800.704

**Adjustable connection**  
ZG30.013.720

**Drop pin Ø16 mm**  
A199.705

**Drop pin Ø20 mm**  
ZG40.005.700

**Tow ball pin coupling**  
A199.707

**Electric tilting arm**  
ZG10.021.731

**Roll box hitch**  
ZG20.020.720

**Roll box hitch with electromagnetic lock**  
ZG20.031.720

**Electric controlled hitch**  
ZG20.032.721

**Hitch for steel coupling with electromagnetic lock**  
ZG20.033.720

**AVAILABLE BATTERY PACKS**

- 30Ah AGM PE battery pack B016.730
- 37/45Ah AGM PE battery pack B018.740
- 40Ah Lithium PE battery pack B151.740

**Frontal baskets**  
Z180.723



Scan this QR code for more information



ZALLYS srl  
Via Palazzina, 1 | 36030 Sarcedo (VI) - ITALY  
www.zallys.com | sales@zallys.com