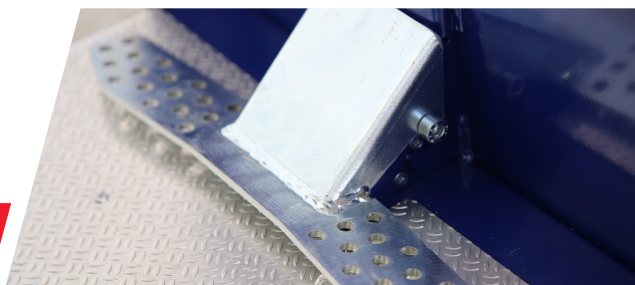




Z181.720

## K2

CE  
CERTIFIED



### INDUSTRIAL LOGISTIC

Zallys K2 is a 3 wheels stand-on electric personnel carrier, designed for transporting personnel and tow carts. Thanks to the patented platform adjustment system, is possible to raise it from the ground up to 30mm and let K2 travel easily over uneven ground.

Very handy, it can tow train of trolleys or wheeled loads up to 1.500 kg (3.306 lb). K2 can be equipped with various accessories, hitches and removable battery packs (even Lithium) for the maximum uptime.

### PERFORMANCES



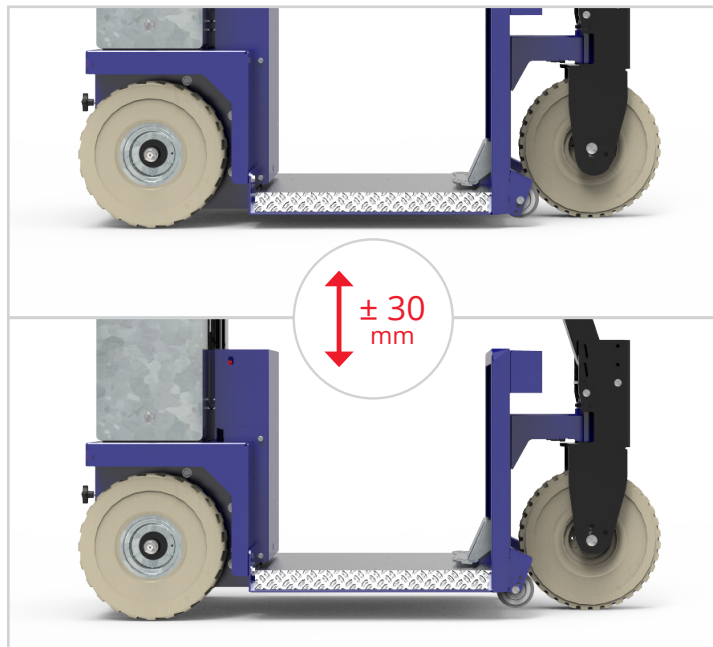
10 KM/H  
(6,2 MPH)



1.500 KG  
(3.306 LB)



15%





**Ballasts kit 58 kg**  
Z526.721

**Ballasts kit 80 kg**  
Z526.722

**Ballasts kit 122 kg**  
Z526.724

**Front and rear lights kit**  
E800.705

**On/off keypad**  
E506.750

**AVAILABLE BATTERY PACKS**

- 30Ah AGM PE battery pack B016.730
- 37/45Ah AGM PE battery pack B018.740
- 40Ah Lithium PE battery pack B151.740

**Fitting kit for K1 battery packs**  
Z524.712

**Steering speed reduction kit**  
E800.704

**Frontal baskets**  
Z180.723

**Adjustable connection**  
ZG30.013.720

**Drop pin Ø16 mm**  
A199.705

**Drop pin Ø20 mm**  
ZG40.005.700

**Tow ball pin coupling**  
A199.707

**Electric tilting arm**  
ZG10.021.731

**Roll-box hitch**  
ZG20.020.720

**Roll box hitch with electromagnetic lock**  
ZG20.031.720

**Electric controlled hitch**  
ZG20.032.721

**Hitch for steel coupling with electromagnetic lock**  
ZG20.033.720



Scan this QR code  
for more information



ZALLYS srl  
Via Palazzina, 1 | 36030 Sarcedo (VI) - ITALY  
www.zallys.com | sales@zallys.com