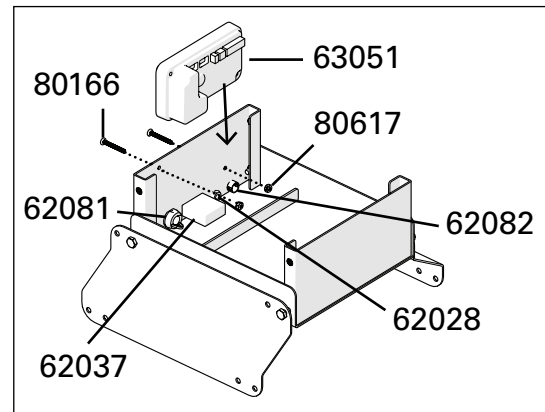
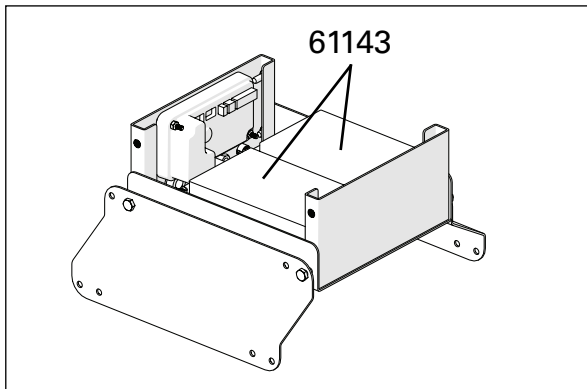
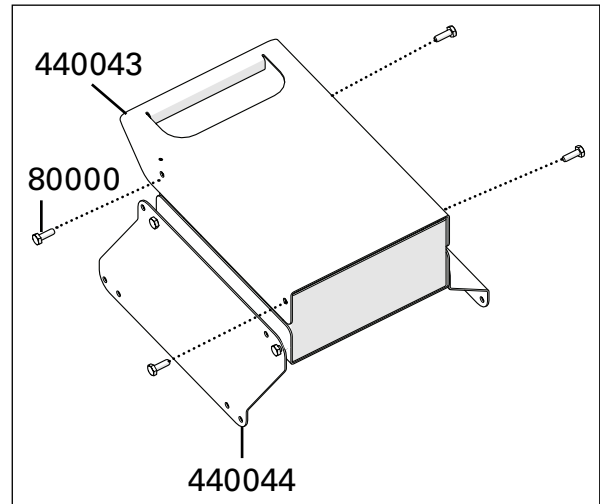
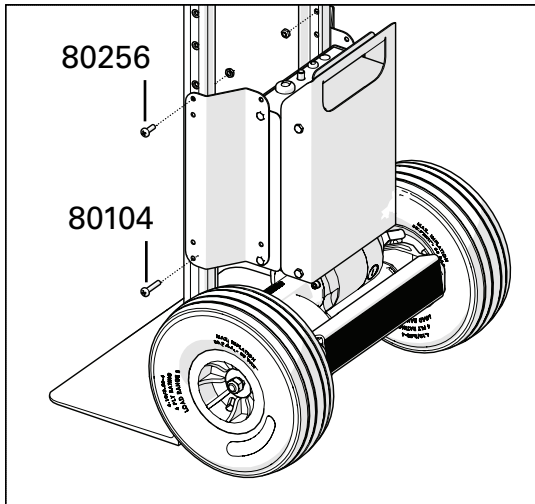


MOTORIZED GEMINI PART DIAGRAMS

(Models beginning with MGA)

Battery Box Assembly

Turn the unit is Off and disconnect the wiring harness between the battery box and transaxle before replacing battery box components!



Description	Part No.
Pan head machine screw - 1/4"-20 x 3/4" long	80256
Pan head machine screw - 1/4"-20 x 1-1/4" long	80104
Hex head cap screw - 1/4"-20 x 3/4" long	80000
Pan head screw - 8-32 UNC x 1-1/4" long	80166
Lock nut with nylon insert - #8-32	80617
Fixed battery mount bracket	440044
Fixed battery box lid with handle	440043
Battery - 12V 14Ah sealed lead acid	61143
Controller - 24V 70A, programmed	63051
Strain relief bushing for cable -9 7/8" diameter	62081
Circuit breaker - 30A	62037
Strain relief bushing for cable - 1/2" diameter	62028
Strain relief plug for 1/2" diameter hole	62082
AC charger - 24V / 2 amp (not shown)	63017

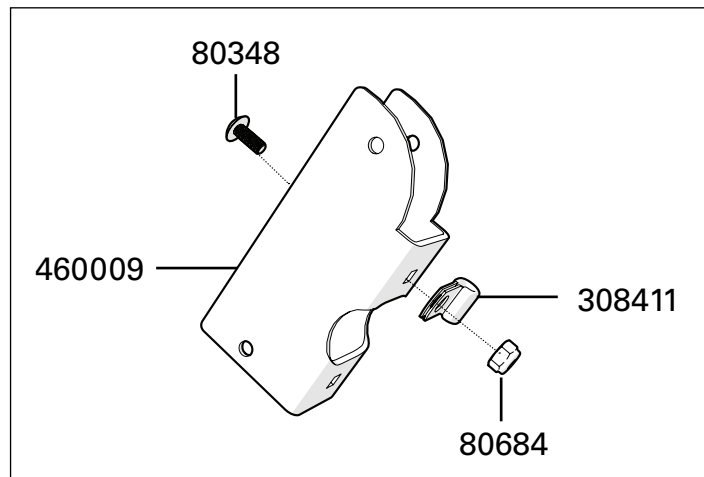
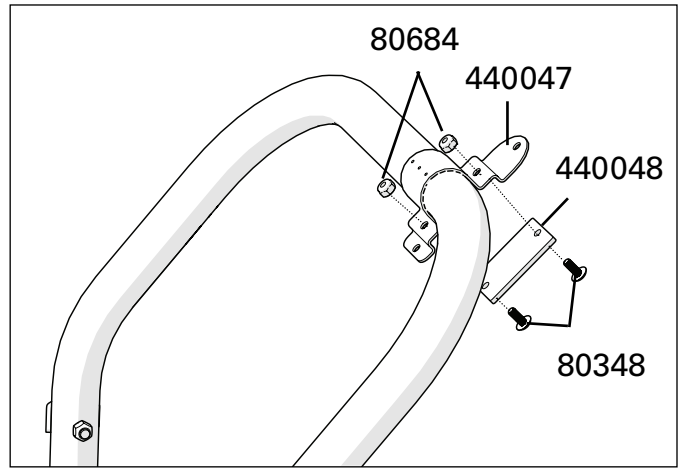
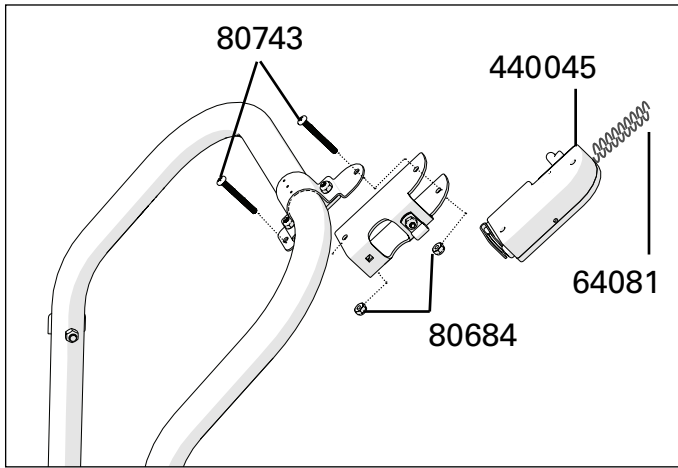
TOOLS REQUIRED

- #2 PHILLIPS SCREWDRIVER
- #3 PHILLIPS SCREWDRIVER
- 5/16" WRENCH
- 7/16" WRENCH

Throttle Assembly



Turn the unit is Off before replacing throttle components!



Description	Part Number
Pan head machine screw - #10-32 x 1-3/4" long	80743
Hex lock nut - #10-32	80684
Phillips truss head screw - #10-32 x 1/2" long	80348
Throttle assembly	440045
Wiring harness - throttle to battery box	64081
Throttle mount bracket	440047
Clamp plate for throttle mount	440048
Throttle holder bracket	460009
Cord loop clamp	308411

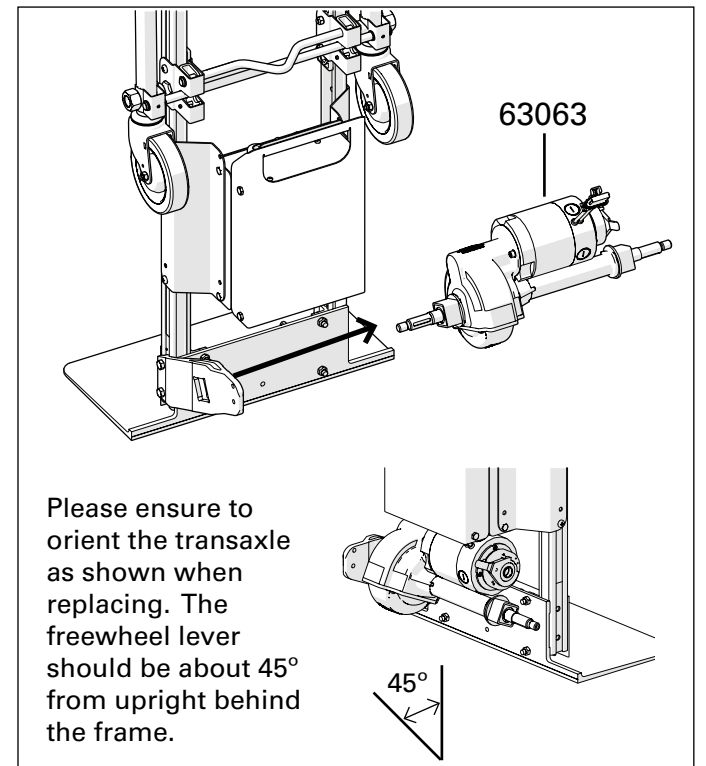
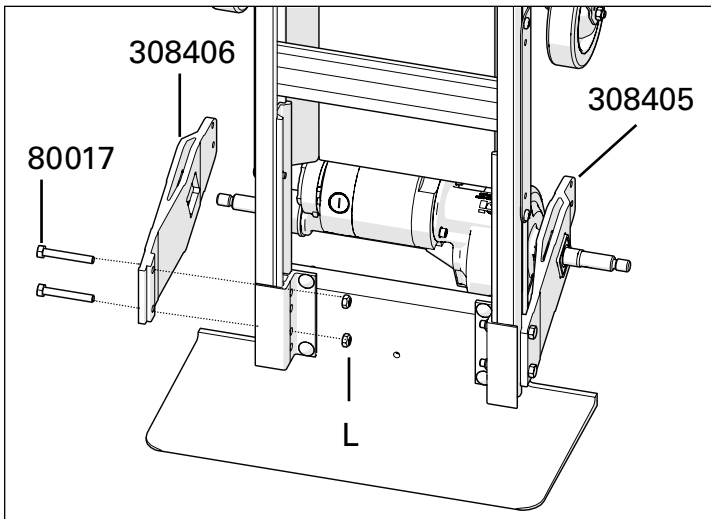
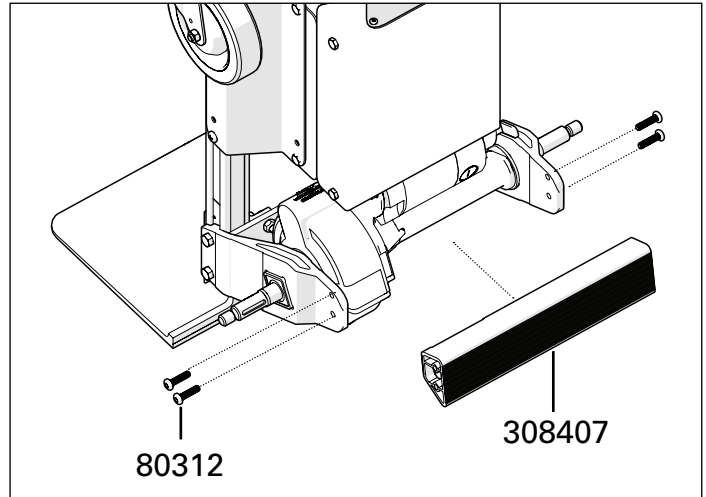
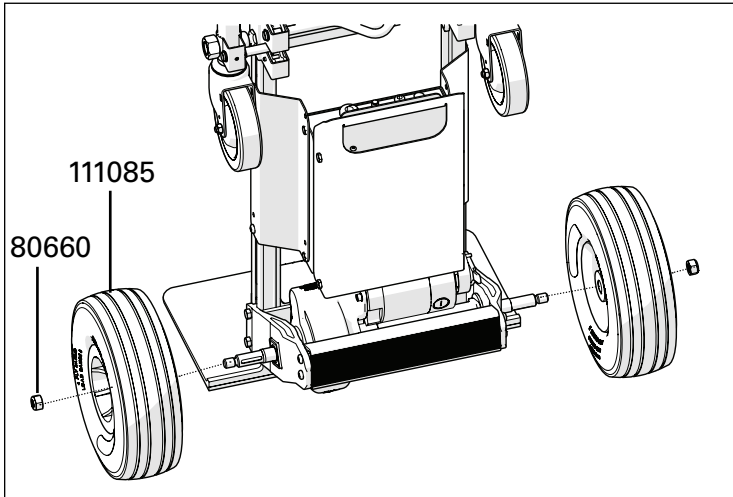
TOOLS REQUIRED

- #2 PHILLIPS SCREWDRIVER
- 3/8" WRENCH

Wheel/Transaxle



Turn the unit is Off and disconnect the wiring harness between the battery box and transaxle before replacing wheel or transaxle components!

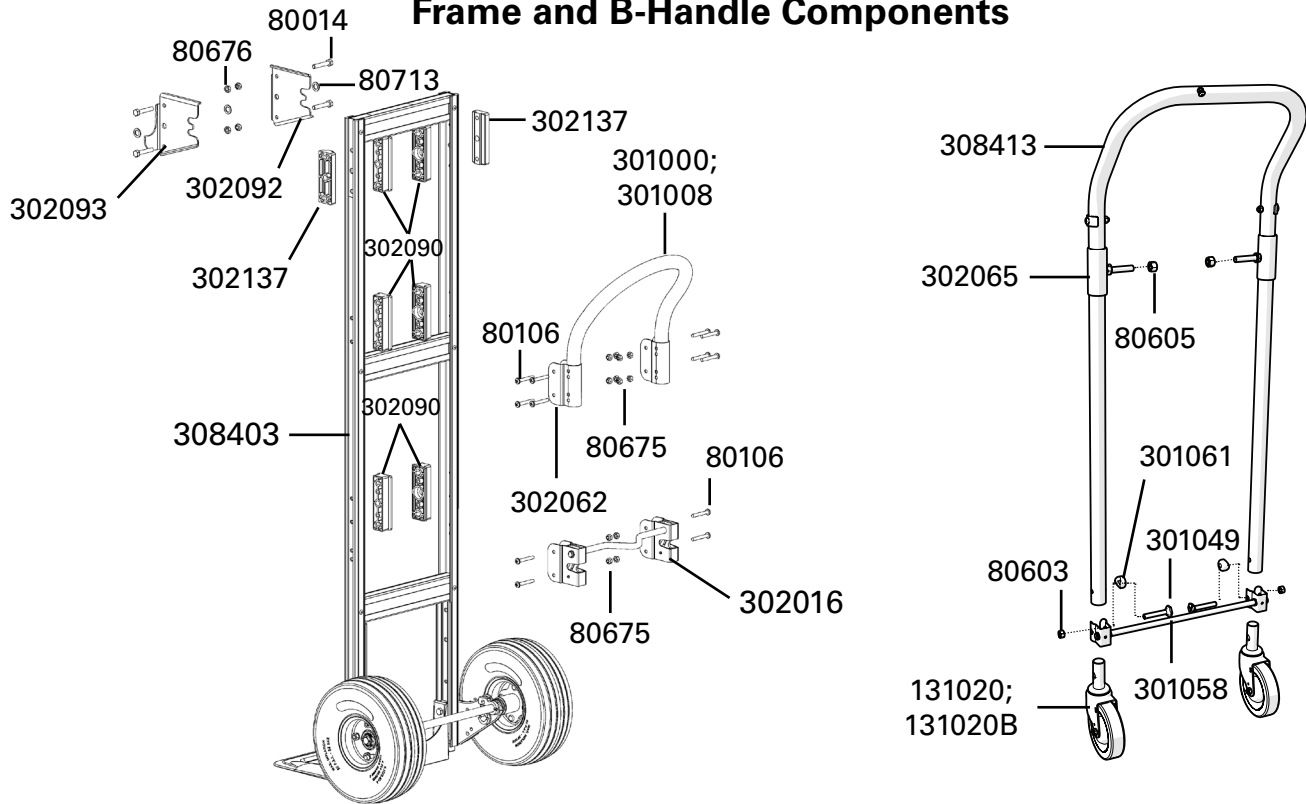


Description	Part No.
Hex lock nut - M12 x 1.5P	80660
Pan head thread forming screw - 1/4"-20 x 1" long	80312
Hex head cap screw - 5/16"-18 x 2-1/4" long	80017
Hex lock nut - 5/16"-18	80676
10" drive wheel - solid-fill pneumatic	111085
Kick bar	308407
Wheel bracket - RH	308406
Wheel bracket - LH	308405
Transaxle assembly - 24V, 400W motor, 19.5:1 gear box	63063

TOOLS REQUIRED

- 19 MM WRENCH
- (2) 1/2" WRENCHES
- T30 TORX BIT OR SCREWDRIVER

Frame and B-Handle Components



Description	Part No.
Hex lock nut - 5/16"-18	80676
Hex head cap screw - 5/16"-18 x 1-3/4" long	80014
Flat washer - 7/16" ID x 3/4" OD	80713
Pan head machine screw - 1/4"-20 x 1-3/4" long	80106
Hex lock nut - 1/4"-20	80675
Lock nut - 7/16"-14 (shake proof)	80605
Hex lock nut - 3/8"-16	80603
Load bolt	301049
Handle plate - LH	302093
Handle plate - RH	302092
Filler block for pivot/frame (2 required)	302137
Frame spacer (6 required)	302090
U-loop handle, standard	301000
U-loop handle with vinyl sleeve, optional	301008
U-Loop Handle Bracket	302062
Latch and lock assembly	302016
Frame assembly	308403
B-handle with handle stops	308413
Pivot socket	302065
Load support bolt spacer	301061
Spreader rod	301058
Caster - 5" x 1-1/4" gray polyurethane flat tread (standard)	131020
Caster - 5" x 1-1/4" gray polyurethane flat tread with brake (opt.)	131020B

TOOLS REQUIRED

- 11/16" WRENCH
- 9/16" WRENCH
- 1/2" WRENCH
- 7/16" WRENCH
- #3 PHILLIPS SCREWDRIVER