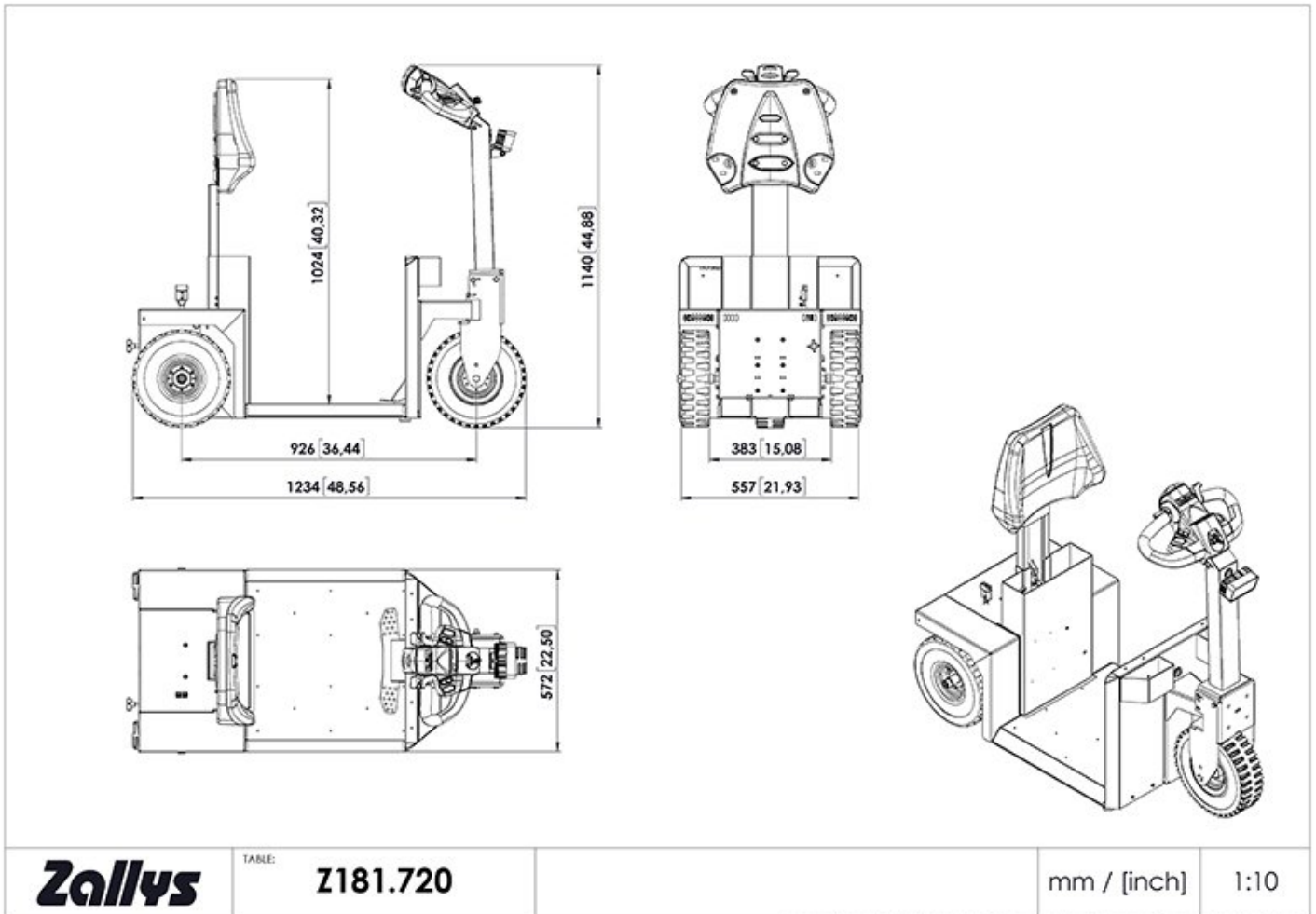


Z181.720-1===

Technical drawing



Technical data

1. Characteristics

Réf.no.	Description	U.M.	Valeur
1.01	Model number		Z181.720-1===
1.02	Model name		K2
1.03	Manufacturer		Zallys
1.04	Operator		Standing
1.05	Power unit		Electric
1.07	CE certification		

1. Frame characteristics

Réf.no.	Description	U.M.	Valeur
1.80	Frame made of		Steel
1.81	Basic process		Sandblasting
1.83	Frame treatment		Polyester powder coating

2. Safety data

Réf.no.	Description	U.M.	Valeur
2.02	Emergency reverse button		On tiller head
2.06	Power supply disconnection device / Emergency stop		Detachable power connector
2.10	Acoustic signaling		Beeper
2.11	Drive controls		Maintained action switch
2.20	Handarm vibration	m/s ²	<2,5
2.22	Noise level at operator's ears	dB	<70

3. Performances

Réf.no.	Description	U.M.	Valeur
3.01	Max. forward speed	km/h	10,0
3.02	Max. backward speed	km/h	10,0
3.14	Max.towing capacity on flat ground (with ballasts) **	kg	1.500
3.22	N ° Operators		1
3.27	Max towing force at hook **	N	800
3.28	Stopping distance in deceleration (without load)	m	3,00

Réf.no.	Description	U.M.	Valeur
3.31	* Load capacity is subject to kind of slope , kind of floor and operating time		
3.33	** While the force expressed in N at the hook remains unchanged, the following circumstances may affect the towing capacity expressed in KG : type of ground on which the towing is performed, the use (or not) of ballasts and type of wheels mounted on the vehicle and on the trailer		

4. Drive controls

Réf.no.	Description	U.M.	Valeur
4.01	Type of control		Tillerhead
4.02	Type of start control		Butterfly lever
4.04	Speed control		5 speed button assembled on the tiller head

5. Standard battery specifications

Réf.no.	Description	U.M.	Valeur
5.01	Batteries		2
5.02	Batteries type		Traction AGM batteries
5.03	Battery voltage	V	12
5.04	Nominal Capacity 5 h	Ah	29
5.05	Nominal Capacity 20 h	Ah	36
5.06	Weight of each battery	kg	10
5.10	Weight of battery pack	kg	24

5. Optional battery specifications

Réf.no.	Description	U.M.	Valeur
5.11	Batteries pcs		2
5.12	Batteries type		Traction AGM batteries
5.13	Battery voltage	V	12
5.14	Nominal Capacity 5/h	Ah	37
5.15	Nominal Capacity 20/h	Ah	45
5.16	Weight of each battery	kg	14
5.18	Weight of 37/45A AGM battery pack	kg	37

5. Optional battery specifications

Réf.no.	Description	U.M.	Valeur
5.21	Batteries		1

Réf.no.	Description	U.M.	Valeur
5.22	Batteries type		Traction - Lithium
5.23	Battery voltage	V	24
5.24	Nominal Capacity k5	Ah	40
5.26	Weight of each battery	kg	13

6. Available chargers

Réf.no.	Description	U.M.	Valeur
6.40	Standard voltage	V	220/240
6.41	Multitension	V	110/240
6.42	Plug		In use in the country of destination

6. Technical data of standard charger

Réf.no.	Description	U.M.	Valeur
6.01	Battery charger		External - high frequency
6.02	Input voltage	V	110 / 240
6.03	Input Frequency	Hz	50-60
6.05	Battery charger capacity	Ah	4
6.06	Power consumption during complete charge cycle	kWh	1
6.07	Operating temperature	°C	-20 / +40
6.08	Operation display		Led
6.09	Input fuse	A	5
6.10	Cooling system		Ventilation cooling
6.11	IP degrees of protection		IP20
6.12.1	Width	mm	95
6.12.2	Length	mm	185
6.12.3	Height	mm	55

7. Drive motor

Réf.no.	Description	U.M.	Valeur
7.03	Engine		Electric
7.04	Electricity		Direct current
7.05	Engine voltage	V	24
7.10	Rating (S2 - 10')	kW	0,80
7.15	Maximum peak power	kW	1,60

8. Technical data

Réf.no.	Description	U.M.	Valeur
8.01	Transmission system		Mechanical
8.02	Transmission lubrication		In oil bath
8.06	Service brake		Electronic
8.08	Parking brake		Electro-Mechanical

9. Weight

Réf.no.	Description	U.M.	Valeur
9.01	Weight without batteries	kg	128

10. Dimensions

Réf.no.	Description	U.M.	Valeur
10.01	Length	mm	1.234,00
10.02	Width	mm	557,00
10.05.3	Height		1140
10.14	Wheelbase	mm	926,00
10.15	Turning circle	mm	1.900,00
10.50	**For further details please click on technical draws		

11. Standard wheels

Réf.no.	Description	U.M.	Valeur
11.01	Drive wheels		2
11.02	Steering wheels		1
11.05	Tyres		Super-elastic non-marking wheel
11.07	Drive wheels type		Turf tires
11.09	Steering wheel type		Turf tires
11.13	Drive tyres size		3.00-4"
11.15	Steering wheel size		3.00-4"