



MOVE



TOW

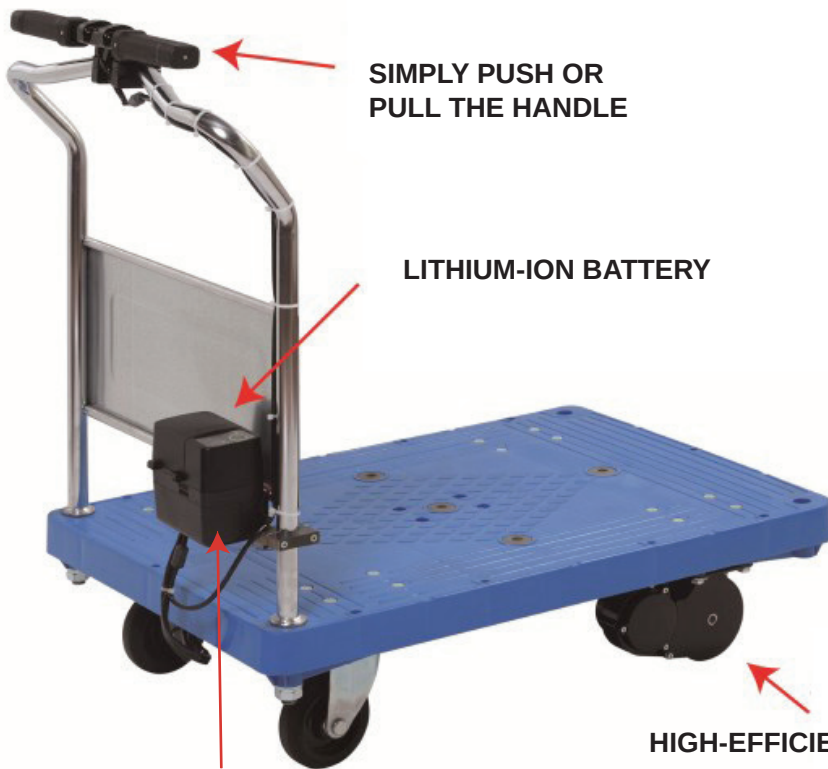


RIDE



LIFT

P2GO PUSH-EASY POWERED TROLLEYS



With a simple and easy power-assist function, the Push-Easy Powered Trolley makes moving heavy loads easy over long distances and reduces the risk of manual handling injuries. It can hold up to 300kg and comes in various models. The drive distance is approximately 7 km, 1/2 laden and 1/2 unladen.

CHANGEOVER BATTERY



Grip the handle to activate the power assist. The assist function works only when you are holding the handles, if you take your hands off, the brakes will automatically apply.



The high-efficient motor saves energy and eliminates handling of loads.



Simple and functional control panel.



Rechargeable lithium-ion battery to save charging time. The drive cycle is approximately 40 minutes.

P2GO PUSH-EASY POWERED TROLLEYS

STANDARD TROLLEY



Model	Load Capacity	Product size (mm)
STANDARD SP301FH	300kg	990 (L) x 605 (W) x 1000 (H) Table: 905 (L) x 605 (W) x 232 (H)

Drive wheel Φ x width (mm)	Steering wheel Φ x width (mm)	Battery (Lithium ion)	Unit Weight
Urethane 100x32	Rubber 125x32	14.4V-2.5Ah	29kg

MULTI-TIER TROLLEYS

2 TIER TROLLEY



Model	Load Capacity	Product size (mm)
2 TIER TROLLEY SP-304-T2	300kg	1020 (L) x 605 (W) x 1080 (H)
3 TIER TROLLEY SP-305-T2		

Model	Table size (mm)	
2 TIER TROLLEY SP-304-T2	First deck	793 (L) x 517 (W) x 232 (H)
	Top deck	905 (L) x 605 (W) x 797 (H)
3 TIER TROLLEY SP-305-T2	First deck	793 (L) x 517 (W) x 232 (H)
	Second deck	793 (L) x 517 (W) x 512 (H)
	Top deck	905 (L) x 605 (W) x 797 (H)

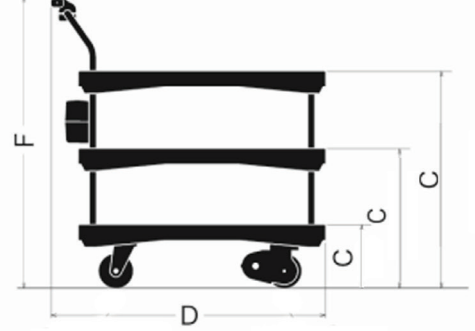
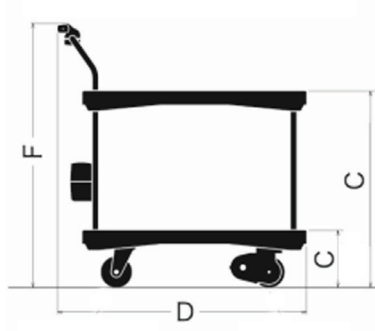
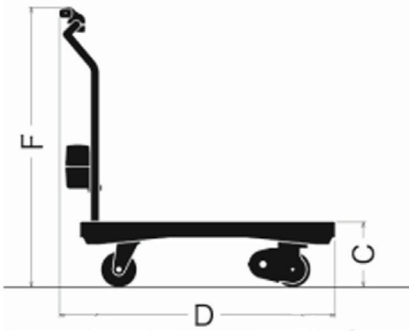
3 TIER TROLLEY



Model	Drive wheel Φ x width (mm)	Steering wheel Φ x width (mm)	Battery (Lithium ion)	Unit Weight
2 TIER TROLLEY SP-304-T2	Urethane 100x32	Rubber 125x32	14.4V-2.5Ah	38Kg
3 TIER TROLLEY SP-305-T2				45Kg

P2GO PUSH-EASY POWERED TROLLEYS

- Heavy duty platform trolley
- Load capacity: 300kg
- Easy for all staff to use
- Audio guide feature
- Allows users to easily manoeuvre the trolley
- Allows access to tight confined spaces
- Rechargeable lithium battery available separately
- Made in Japan



Reduce charging time with a spare battery and a separate charger (*Sold separately).



P2GO PUSH-EASY LIFT TABLE



The Push-Easy Lift Table is a hydraulic lift table equipped with an assist function, making carrying loads easier! With a lift height of 850mm, it is ideal in many applications and can safely manoeuvre loads to various work heights. The drive distance is approximately 3 1/2 km laden and unladen, total of 7km.



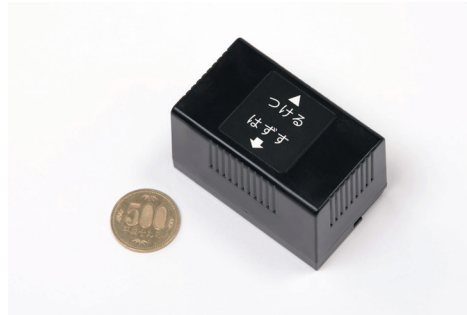
Grip the handle to activate the power assist. The assist function works only when you are holding the handles, if you take your hands off, the brakes will automatically apply.



The high-efficient motor saves energy and eliminates handling of loads.



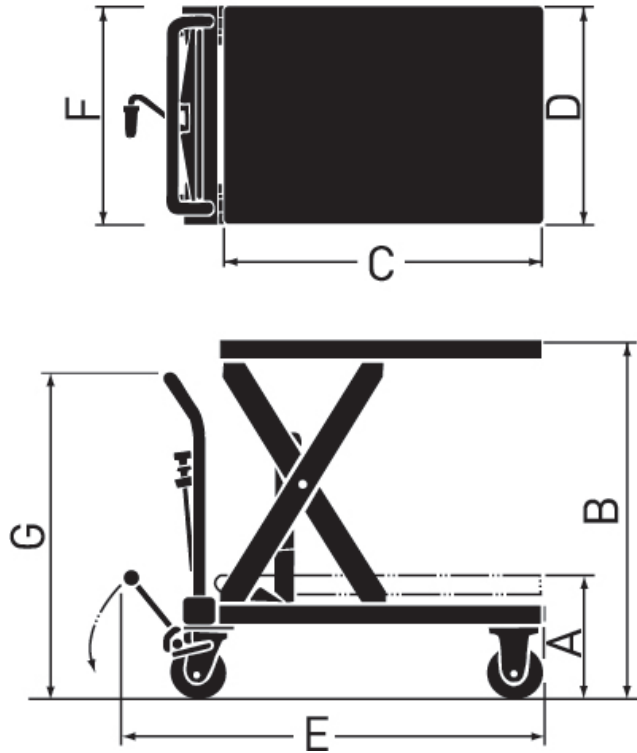
Simple and functional control panel.



Rechargeable lithium-ion to save charging time. (Spare battery and a separate charger sold separately). The drive cycle is approximately 40 minutes.

P2GO PUSH-EASY LIFT TABLE

■ 寸法図



- Powered drive system
- Removes the need of manual handling
- Lift height of 850mm
- Load capacity of 250kg
- Easy to use
- Audio guide feature
- Made in Japan

Model	Maximum load	Bottom (mm)	Highest (mm)	Table size (mm)	Product size (mm)		
		A.	B.	CxD	E.	F.	G.
AS250LT	250Kg	245	850	800x500	1,055	500	895

Model	Steering wheel Φ x width (mm)	Drive wheel Φ x width (mm)	Battery (Lithium ion)	Number of lifting time	Product weight
AS250LT	Rubber	Urethane	14.4V-2.5Ah	24	68
	100x32	125x27			

P2G0 PUSH-EASY LIGHTWEIGHT ALUMINUM LIFTER



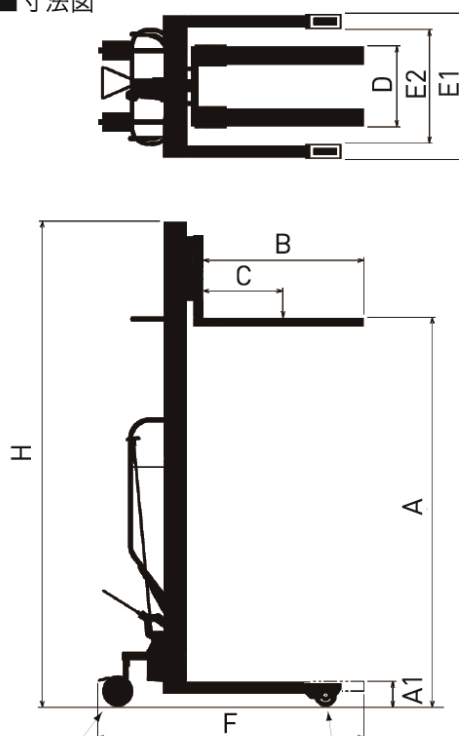
20KG
LIGHTWEIGHT
DESIGN



Work Safely and Efficiently!

- Lightweight design, weighs 20kg
- Made of aluminium
- Load capacity of 100kg
- Ability to reach high and hard areas
- Allows users to easily manoeuvre the unit
- Compact size
- Made in Japan

■寸法図



Model	Maximum Load	Bottom (mm)	Highest (mm)	Fork (mm)			Leg width (mm)		Overall length (mm)	Width (mm)	Height (mm)
				Length	Load centre	Outer width	Outer width	Inner width			
		A1	A.	B.	C.	D.	E1	E2	F.		H.
K100-12	100Kg	80	1,200	500	250	250	460	340	830	640	1,510

Model	Steering wheel Φ x width (mm)	Drive wheel Φ x width (mm)	Power source	Ascent times	Product weight
K100-12	Twin wheel	Urethane 75 x 25	hydraulic manual	37	20

Powered2GO

Contact Us



1 Paramount Road,
Footscray West, Vic, 3012



03 8378 7700



sales@warequip.com.au



www.powered2go.com.au



Powered2go