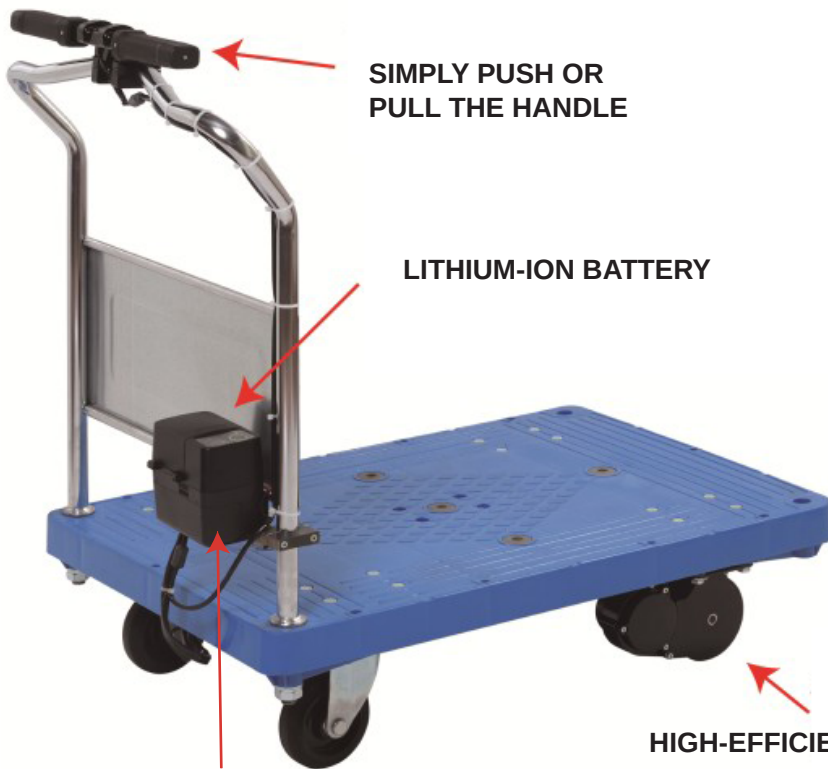


P2GO PUSH-EASY POWERED TROLLEYS



With a simple and easy power-assist function, the Push-Easy Powered Trolley makes moving heavy loads easy over long distances and reduces the risk of manual handling injuries. It can hold up to 300kg and comes in various models. The drive distance is approximately 7 km, 1/2 laden and 1/2 unladen.



Grip the handle to activate the power assist. The assist function works only when you are holding the handles, if you take your hands off, the brakes will automatically apply.



The high-efficient motor saves energy and eliminates handling of loads.



Simple and functional control panel.



Rechargeable lithium-ion battery to save charging time. The drive cycle is approximately 40 minutes.

P2G0 PUSH-EASY POWERED TROLLEYS

STANDARD TROLLEY



Model	Load Capacity	Product size (mm)
STANDARD SP301FH	300kg	990 (L) x 605 (W) x 1000 (H) Table: 905 (L) x 605 (W) x 232 (H)

Drive wheel Φ x width (mm)	Steering wheel Φ x width (mm)	Battery (Lithium ion)	Unit Weight
Urethane 100x32	Rubber 125x32	14.4V-2.5Ah	29kg

MULTI-TIER TROLLEYS

2 TIER TROLLEY



Model	Load Capacity	Product size (mm)
2 TIER TROLLEY SP-304-T2	300kg	1020 (L) x 605 (W) x 1080 (H)
3 TIER TROLLEY SP-305-T2		

Model	Table size (mm)	
2 TIER TROLLEY SP-304-T2	First deck	793 (L) x 517 (W) x 232 (H)
	Top deck	905 (L) x 605 (W) x 797 (H)
3 TIER TROLLEY SP-305-T2	First deck	793 (L) x 517 (W) x 232 (H)
	Second deck	793 (L) x 517 (W) x 512 (H)
	Top deck	905 (L) x 605 (W) x 797 (H)

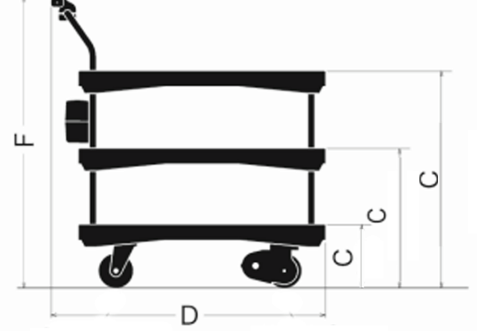
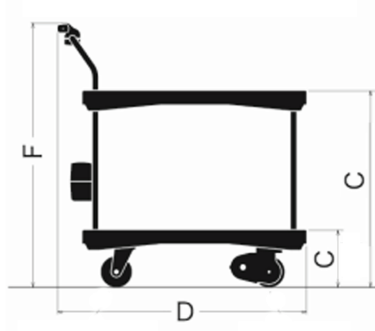
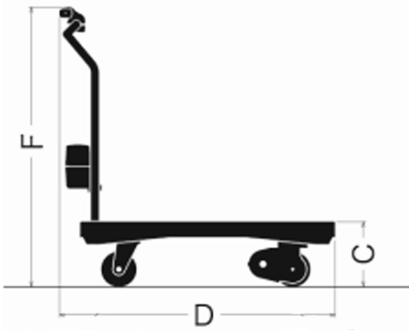
3 TIER TROLLEY



Model	Drive wheel Φ x width (mm)	Steering wheel Φ x width (mm)	Battery (Lithium ion)	Unit Weight
2 TIER TROLLEY SP-304-T2	Urethane 100x32	Rubber 125x32	14.4V-2.5Ah	38Kg
3 TIER TROLLEY SP-305-T2				45Kg

P2GO PUSH-EASY POWERED TROLLEYS

- Heavy duty platform trolley
- Load capacity: 300kg
- Easy for all staff to use
- Audio guide feature
- Allows users to easily manoeuvre the trolley
- Allows access to tight confined spaces
- Rechargeable lithium battery available separately
- Made in Japan



Reduce charging time with a spare battery and a separate charger (*Sold separately).

