

# P2GO PUSH-EASY LIFT TABLE



The Push-Easy Lift Table is a hydraulic lift table equipped with an assist function, making carrying loads easier! With a lift height of 850mm, it is ideal in many applications and can safely manoeuvre loads to various work heights. The drive distance is approximately 3 1/2 km laden and unladen, total of 7km.



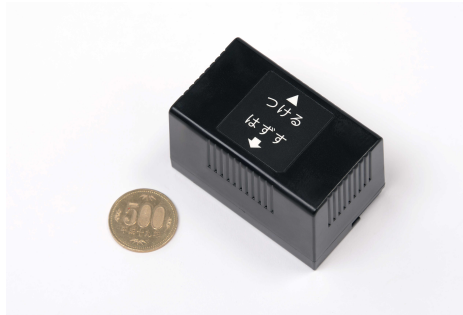
Grip the handle to activate the power assist. The assist function works only when you are holding the handles, if you take your hands off, the brakes will automatically apply.



The high-efficient motor saves energy and eliminates handling of loads.



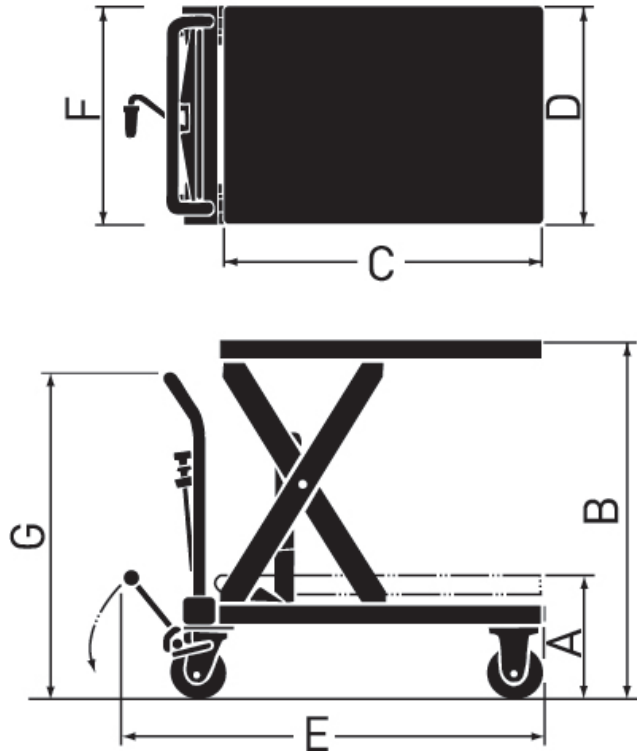
Simple and functional control panel.



Rechargeable lithium-ion to save charging time. (Spare battery and a separate charger sold separately). The drive cycle is approximately 40 minutes.

# P2GO PUSH-EASY LIFT TABLE

## ■ 寸法図



- Powered drive system
- Removes the need of manual handling
- Lift height of 850mm
- Load capacity of 250kg
- Easy to use
- Audio guide feature
- Made in Japan

Model	Maximum load	Bottom (mm)	Highest (mm)	Table size (mm)	Product size (mm)		
		A.	B.	CxD	E.	F.	G.
AS250LT	250Kg	245	850	800x500	1,055	500	895

Model	Steering wheel Φ x width (mm)	Drive wheel Φ x width (mm)	Battery (Lithium ion)	Number of lifting time	Product weight
AS250LT	Rubber	Urethane	14.4V-2.5Ah	24	68
	100x32	125x27			