



**R6**

Off road tow tug

# R6

Z216.720



5,0 km/h



1.200 kg



5.000 kg



15 %



- For transport up to 800 kg
- For towing up to 6000 kg
- With pneumatic wheels for indoor and outdoor use
- Button for 5-speed adjustment
- Wide range of standard or customizable platforms on request

👁 **Front View**



👁 **Side View**



👁 **Rear View**



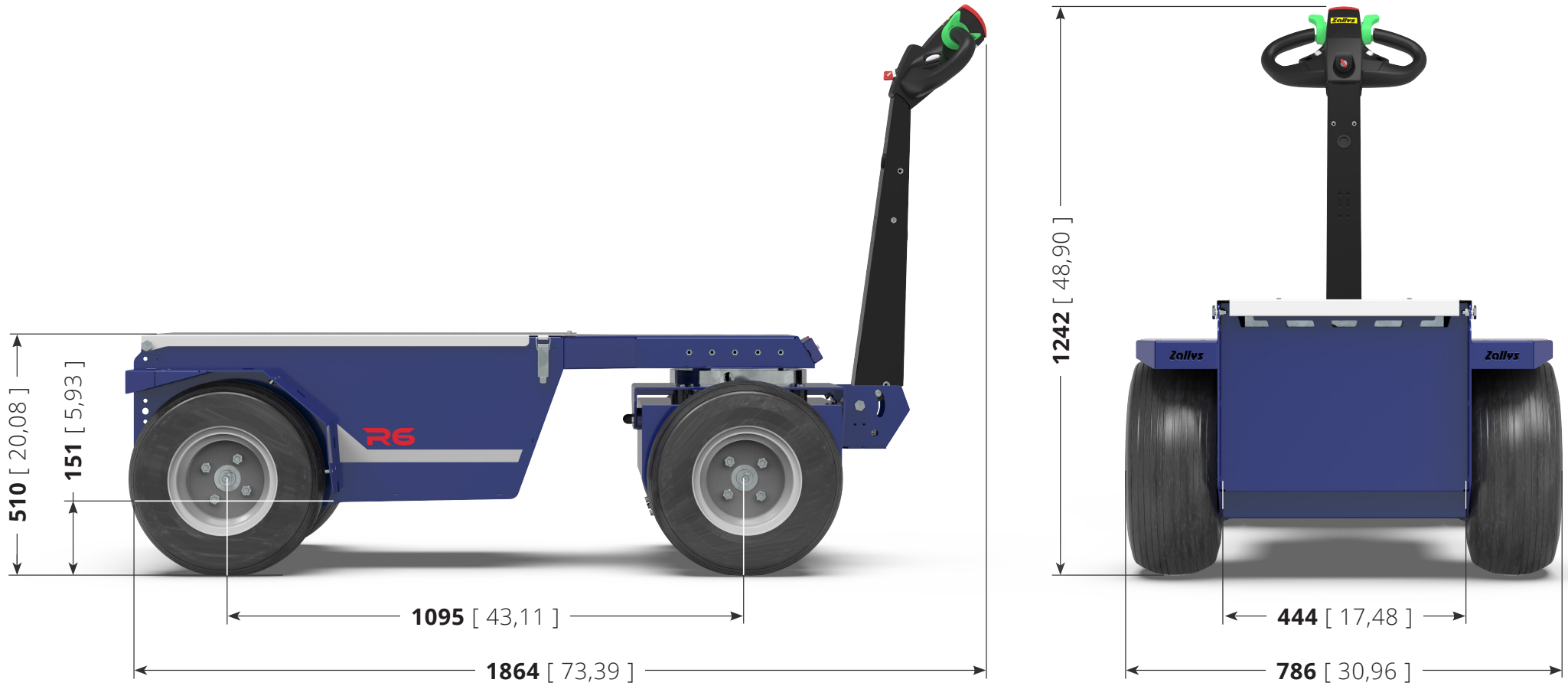


	TABLE: <b>Z216.720</b>	<b>R6</b>	Unit: <b>mm</b> [inch]
--	---------------------------	-----------	------------------------

## Main sectors



INDUSTRIAL  
MAINTENANCE



HOTELS, RESORTS  
& TOURISM



AGRICULTURE,  
BREEDING &  
WINERIES

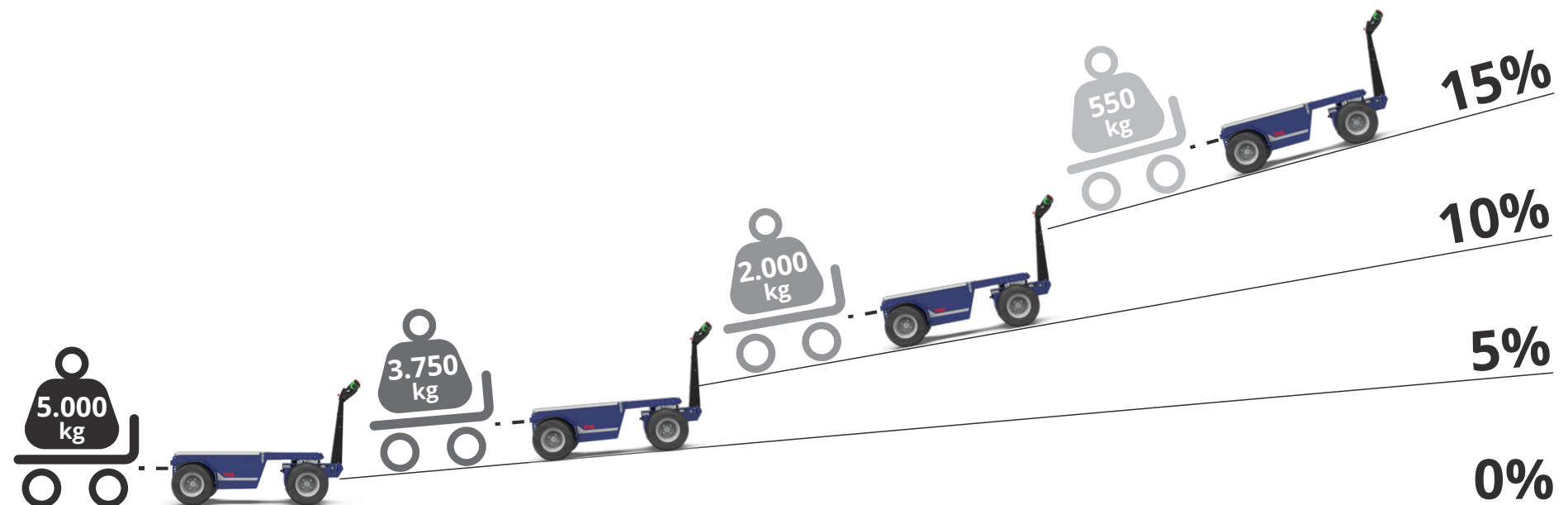


CONSTRUCTION  
WORKS

## Performances on slopes

While the force expressed in N at the hook remains unchanged, the following circumstances **may affect the towing capacity expressed in kg:**

- **type of ground** on which the towing is performed;
- towing on **flat ground or on a slope**;
- use (or not) of **ballasts**;
- **type of wheels** mounted on the vehicle and on the trailer.



## 5 levels speed adjustment

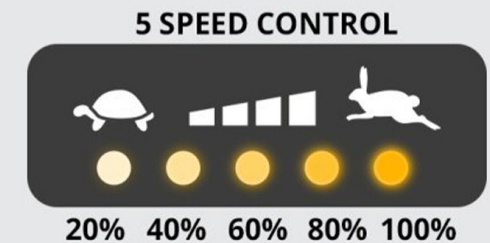
On the new M9 tillerhead by Zallys a button for the adjustment of the speed of the machine is mounted **as standard**. By clicking it, at each click you switch to the next level. This allows a fast and easy selection of the correct speed based on the kind of manoeuvre. **The Flex-to-Go system** has been studied to give a better maneuverability in confined spaces and more speed on the longer journeys.

Each click adds **20% more speed**.

### Speed ramp:

20% - 40% - 60% - 80% - 100%

Once the maximum speed is reached, by pressing the button again it returns to 20%.



## Ergonomic driving

Zallys' tillerhead has been conceived and produced to make the use of the machine more ergonomic for the operator, guaranteeing the right **comfort while driving during the work shift**. Its **ergonomic design allows to have all the driving controls at your fingertips**, the display with the battery charge level and the power key for an easy and fast ignition. **The structure is made of resistant materials** in case of accidental bumps.

Power key

5 speed selection

Anti-crush reverse button



Dashboard

Acoustic alarm

Maintained action drive controls

## The right wheels for every need

R6 is equipped with **pneumatic wheels**, suitable both for indoor and outdoor use, always guaranteeing the maximum grip and a really low level of vibrations. Moreover, they are very resistant and offer exceptional performances on every kind of ground.



## Autonomy for a full working day

R6 is powered by two 200/240 Ah batteries, which guarantee the machine for **8 continuative working hours operation**. Thanks to the high frequency external battery charger, the batteries are easy to charge.

# STANDARD HITCH

There are several typologies of carts on the market, each one with its peculiar characteristics and features. That's why **Zallys** makes available on **R6** both standard hitches for the most common trailers and customized solutions for the most specific applications.





# ACCESSORIES





## **Examples of applications**

---

on various production sectors



# CONSTRUCTION WORKS

**Zollys**  
... the passion for moving





# HOTELS, RESORTS & TOURISM

**Zollus**  
... the passion for moving





# SHIPBUILDING INDUSTRY

**Zallys**  
... the passion for moving





• • • the passion for moving

Zallys srl srl - Via Palazzina 1, Sarcedo  
36030 (VI) - Italia

**Contatti:**

sales@zallys.com  
+39 0445 366785

**Web site:**

www.zallys.com

